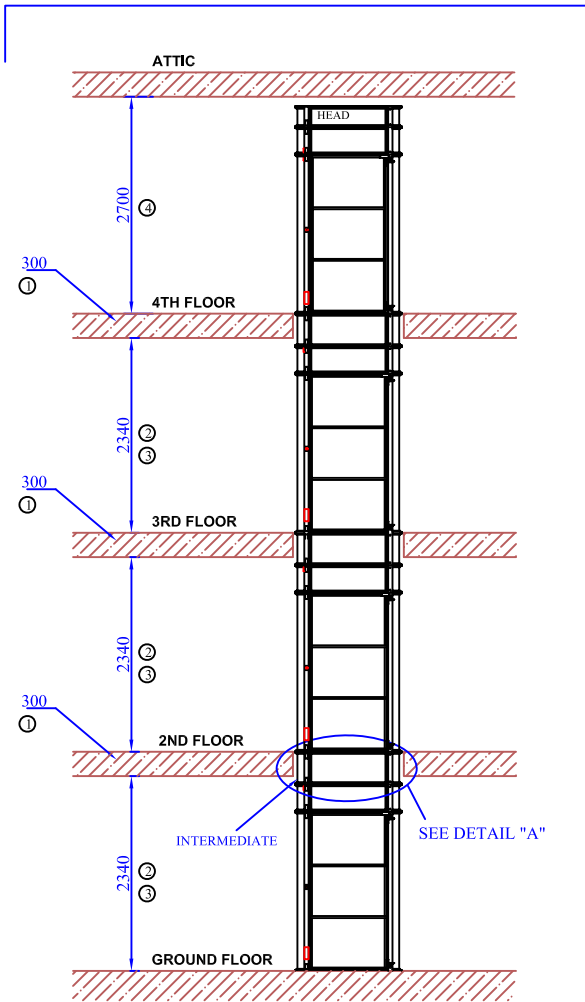


TYPICAL SETUP

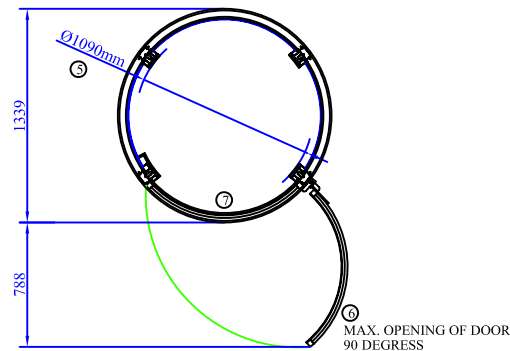
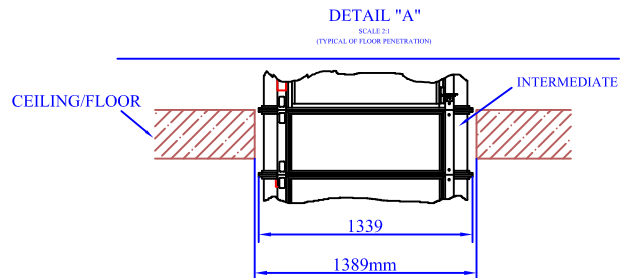
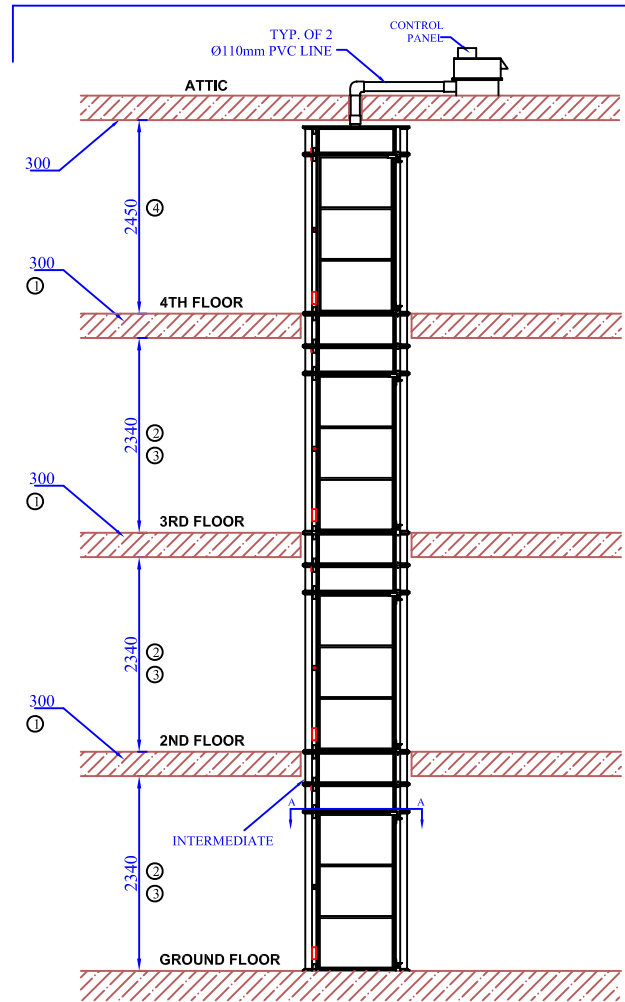


NOTE:

- ① INTERMEDIATE CYLINDER IS CUSTOM MADE AS FLOOR THICKNESS MAY VARY FROM HOME TO HOME.
- ② INTERMEDIATE CYLINDER IS CUSTOM MADE AS ROOM HEIGHT MAY VARY FROM HOME TO HOME.
- ③ MINIMUM ALLOWABLE HEIGHT IS 2340mm
- ④ MINIMUM ALLOWABLE HEIGHT AS SHOWN FOR THIS TYPE OF INSTALLATION
- ⑤ INTERNAL DIAMETER OF CABIN WITHOUT THE COLUMNS IS 1210mm AND THE INTERNAL CABIN HEIGHT IS 2007mm
- ⑥ DOOR WIDTH IS 954mm
- ⑦ ENTRANCE WAY WIDTH OPENING IS 813mm
- ⑧ MAX. ELEVATOR HEIGHT IS 10m

VIEW "A-A"
SCALE: 2:1

OPTION: REMOTE LOCATION OF HEAD UNIT



Information contain herein is the property of Pneumatic Vacuum Elevators LLC. No reproduction or disclosure of this information may be made by the recipient to any person or organization without the written consent of Pneumatic Vacuum Elevators LLC.

Item ref.	Quantity	Material	Dimensions	Article No./ Reference
TYPICAL HOME INSTALLATION FOR A 4STOP ELEVATOR - MODEL PVE52				
Designed by HS		Scale 1:1	Drawing No. D-T52-H-03	Rev 0
			Date 11/15/10	

PNEUMATIC VACUUM ELEVATORS LLC